

# NGBP-LEDEx

Zone 1, 2, 21 & 22

FLOODLIGHT · BULKHEAD · HIGHBAY



Wire Guard option available

The **NGBP-LEDEx** luminaire range uses specially designed Ex LED light sources and is paired with Ex certified LED drivers. The luminaire is designed to replace the conventional HID lamps which makes it energy efficient with high performance, low maintenance and long life span. It's suitable for wall, ceiling, bracket and pole mounting. The **NGBP-LEDEx** continues the proud heritage of NORDLAND LIGHTING's Ex safety standards whilst utilizing the latest LED technology.



**NORDLAND LIGHTING®**

## NGBP-LEDEx

**Applications:** Hazardous (surface) / Industrial / Corrosive

**Housing:** Manufactured from high pressure die cast aluminium, with a heavy duty toughened smooth clear glass refractor, fitted into a die cast aluminium frame.

**Frame:** The frame is fitted with 6 spring stainless steel fingertip latches which hold the frame in position.

**Gasket:** Round silicone sponge gasket retainer within a recess in the cast aluminium base provides a seal for outdoor use.

**Control Gear:** Constant Current LED driver 220V/240V, 50/60Hz

**Screws:** All external screws are made of stainless steel.

**Cable Entry:** Single Ex compression gland for cable diameter 8-11mm. (Ex adaptor & Armoured cable gland on request).

**Mountings:** The body incorporates many choices of mounting options including: flood, wall, ceiling brackets, angled wall brackets, anti-vibration brackets, pole mounting brackets and angled post top brackets.

**LED:** The luminaire is designed to operate with various LED wattages.

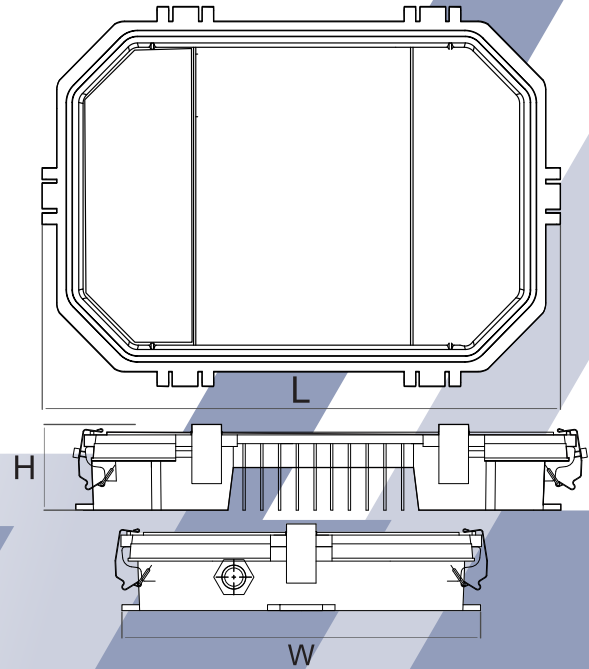
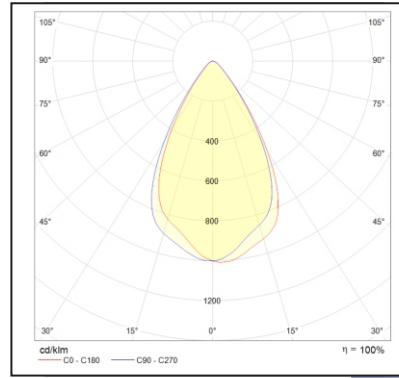
**Rated Lifetime:** 60 000 Hr. (L70/B10)

**Warranty:** 5 Years

**Photometric Data:** Photometric files available on request.

**Note:** Lightning Protection: All electronic products such as light fittings and computers are subject to violent destruction when struck by lightning. An independent lightning protection device, well earthed, needs to be inserted in the supply line before the lighting circuit, where any electronic control gear is used in light fittings. Control gear damaged by lightning is not covered under guarantee.

### Photometric Data: 65° Beam Angle



Model Name	NGBP-LEDEx			
Rated Wattage(W)	40W	55W	72W	102W
Amperage	700mA	1050mA	700mA	1050mA
Luminous Efficacy (system)	100lm/W	100lm/W	100lm/W	100lm/W
Luminous Flux (system)	4000lm	5500lm	7200lm	10200lm
Colour Rendering Index	>Ra70	>Ra70	>Ra70	>Ra70
Colour Temperature	5000K (4000K / 6000K available on special request)			
Rated Voltage	220V-240V AC, 50/60Hz			
Ingress Protection Grade	IP66			
Ambient Temperature	-20°C to +40°C			
Power Factor	>0,95			
Rated Lifetime	60 000 Hr.			
Installation	Wall, Ceiling, Bracket and Pole mounting			
Beam Angle	65° (120° beam angle available on special request)			
Dimensions	L x W x H			
	410x303x72mm			
Weight	4.9kg (5.1kg box)			
Classification	Zone 1, 2 (Gas) Zone 21, 22 (Dust)			
Ex-Mark	Ex e mb IIC T4 Gc IP66 / Ex tb IIIC T135°C Db IP66			

Nordland reserves the right to change any specification or design without prior notice.

