

UV CLEAN AIR I / II



No other air purification is more effective at neutralizing micro-organisms than ultraviolet light radiation. Ultraviolet light possesses just the right amount of energy to break organic molecular bonds. As micro-organisms pass by the UV rays radiated from the ultraviolet lamp, this bond breakage translates into cellular or genetic damage for micro-organisms, such as germs, viruses, bacteria, fungi (like molds), etc. The fixture continues the proud heritage of NORDLAND LIGHTING's quality standards.



NORDLAND LIGHTING®

UV CLEAN AIR I / II

Model	UV CLEAN AIR I	UV CLEAN AIR II
Input Voltage	220VAC 50/60Hz	220VAC 50/60Hz
Dimensions	275mm x 110mm x 110mm	300mm x 176mm x 140mm
Enclosure	Steel powder coated Mild steel	
Weight	2,5kg	3kg
Lamp source	254nm	
Broad Applications	General Medical use; Intensive Care Unit; Medical Suites	
Maximum Sanitized Room	Single lamp UV products 10sqm for TB, 16sqm General (ceiling height of 2 700mm)	
Maximum Sanitized Room	Double lamp UV products 16sqm for TB, 25sqm General (ceiling height of 2 700mm)	

UVC lamps used in the NORDLAND UV Clean Air are tested to last 8000 hours (assuming a 12 hour usage cycle), or approximately 18 months, before requiring replacement. Indication light will switch on when lamp replacement is due, and the lamp can be replaced by the user.

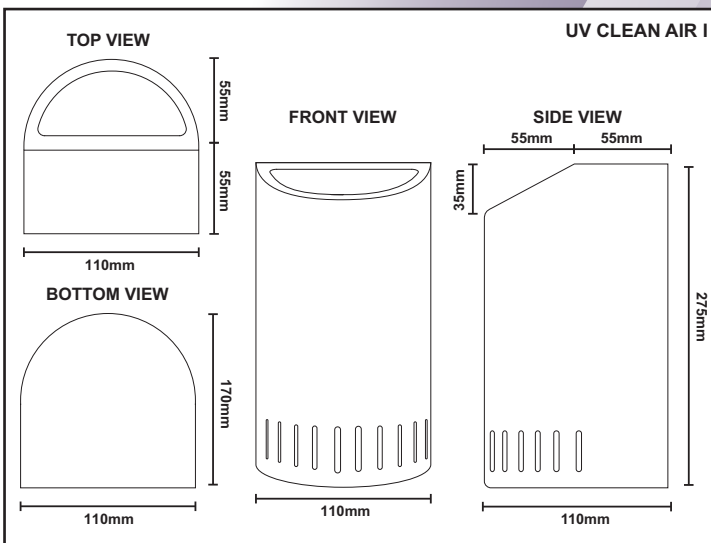
A circulation fan is packaged so that it will blow air centrally and across the face of the UVC Germicidal lamps, to ensure optimal air movement and maximum exposure radiation of the lamps. This ensures that the mJ/cm² deactivation dosage is reached of the various organisms to kill them.

An incorporated microswitch is used inside the unit to switch off UVC lamps when opening the enclosure for maintenance reasons.

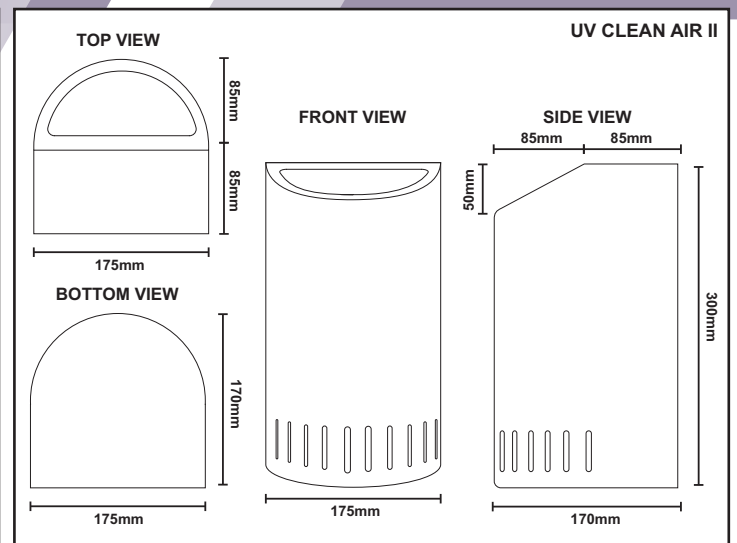
Below is a list of radiation doses required for 90% inactivation of various micro-organisms:

Common Name	Organism	mJ/cm ²
Common cold	Influenza	6.8
Covid 19	SARS-CoV-2	5
TB	Mycobacterium tuberculosis	10
Strep Throat	Streptococcus viridans	4
Diphtheria	Corynebacterium diphtheriae	6.74
Strain of Meningitis	Streptococcus viridans	4

DRAWING



DRAWING



Nordland reserves the right to change any specification or design without prior notice.